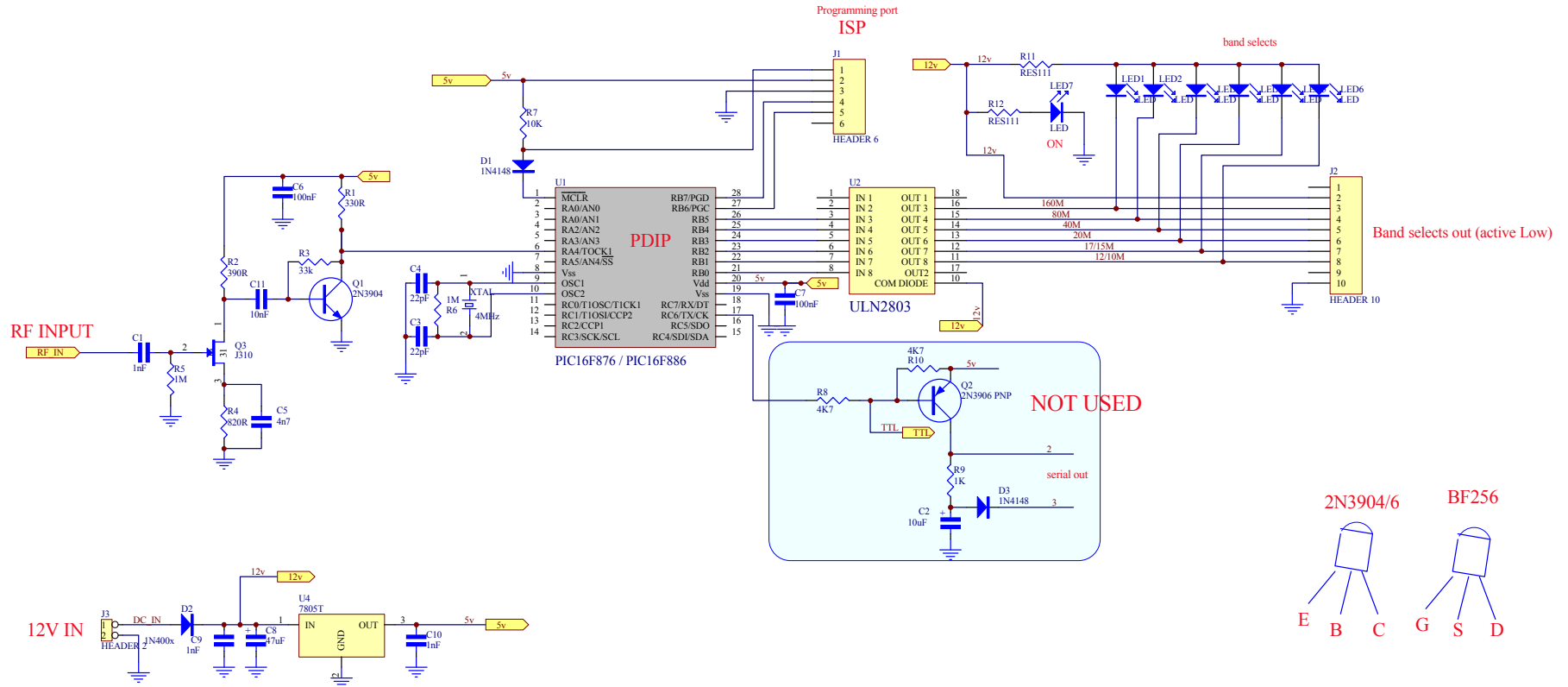


Auto RF LPF SWITCHING

by WB9IXS



Original source code by Jim Cass (WB9IXS), modified by Ric to use PIC16F876 in addition to original PIC16F886

SEE JIM'S YOUTUBE VIDEO T "<https://www.youtube.com/watch?v=pxg0sUj3-38>"

VK3PE
drawn 14th sept 2020

Title Band decoder		DRAWN BY: VK3PE	
Size: A3	Date: 1-Dec-2020	Sheet of 1	(C) 2007-2019