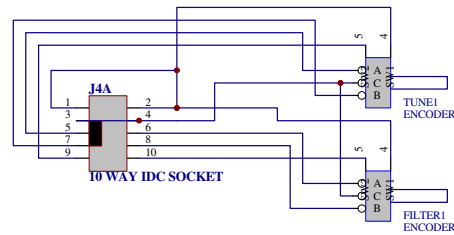
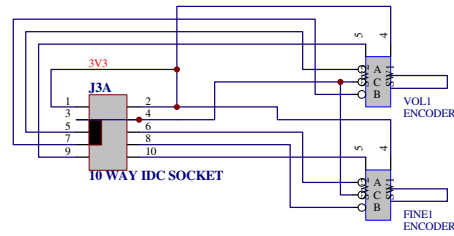
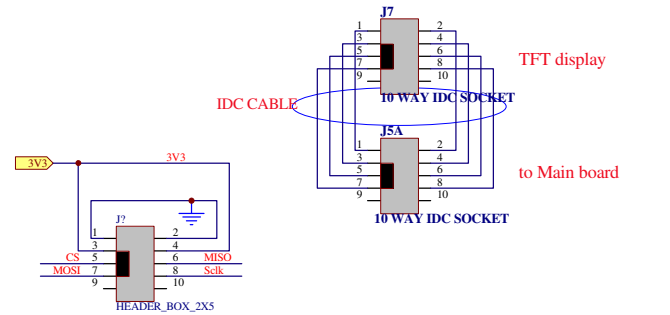


# TP41 MAIN, DISPLAY AND ENCODER WIRING

TFT Display connections NOT on MAIN PCB

USED 8 WAY IDC HERE !



Title <b>TP41 MAIN BD. DISPLAY AND ENCODER WIRING</b>			
Size: A3	Number:	Revision: V011	(C) VK3PE 2022
File:	Date: 31-Jul-2022	Time: 12:44:44	Sheet 2 of 2