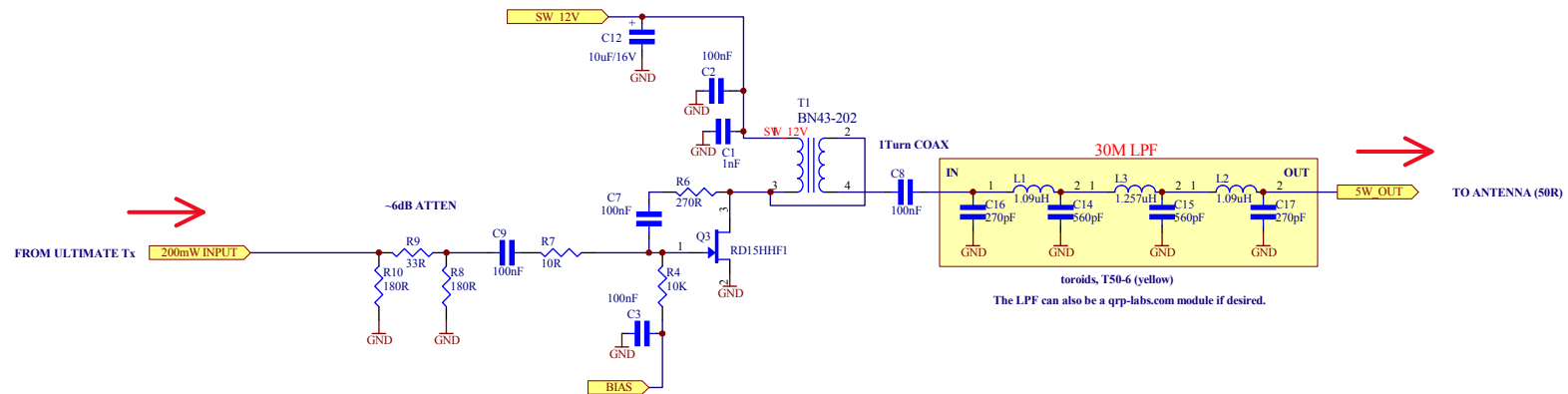
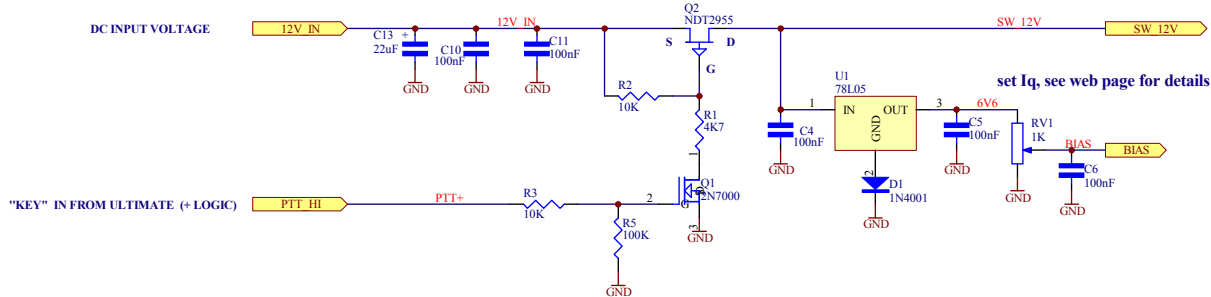


# 5 Watt 30M WSPR PA FOR ULTIMATE 3S

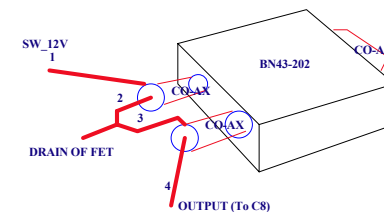


The LPF can also be a qrp-labs.com module if desired.

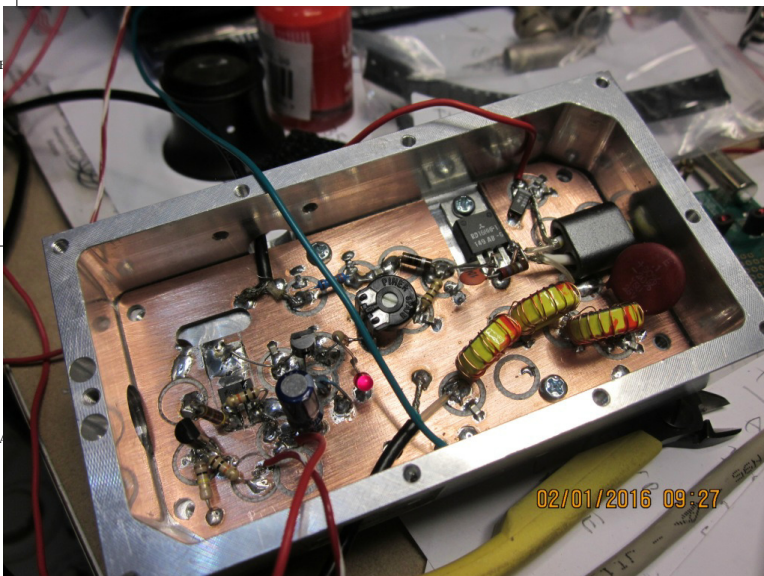


set Iq, see web page for details

T1 WINDING DETAIL USING COAX CABLE



**BETTER THAN THE ABOVE,**  
**IS TO WIND 2 TURNS BIFILAR ONTO THE BALUN CORE.**  
**RESULTS IN SLIGHTLY MORE POWER OUTPUT.**  
 (LIGHTLY TWIST THE 2 WIRES BEFORE WINDING)



prototype board on WSPR

080216 minor corrections  
 030216 V1.1

04-01-2016 VK3PE ULTIMATE 3S SW PA

Title	DRAWN BY: VK3PE	
Size: A3	Date: 8-Feb-2016 Time: 19:51:00	Sheet 1 of 1
		(C) 2007-2016