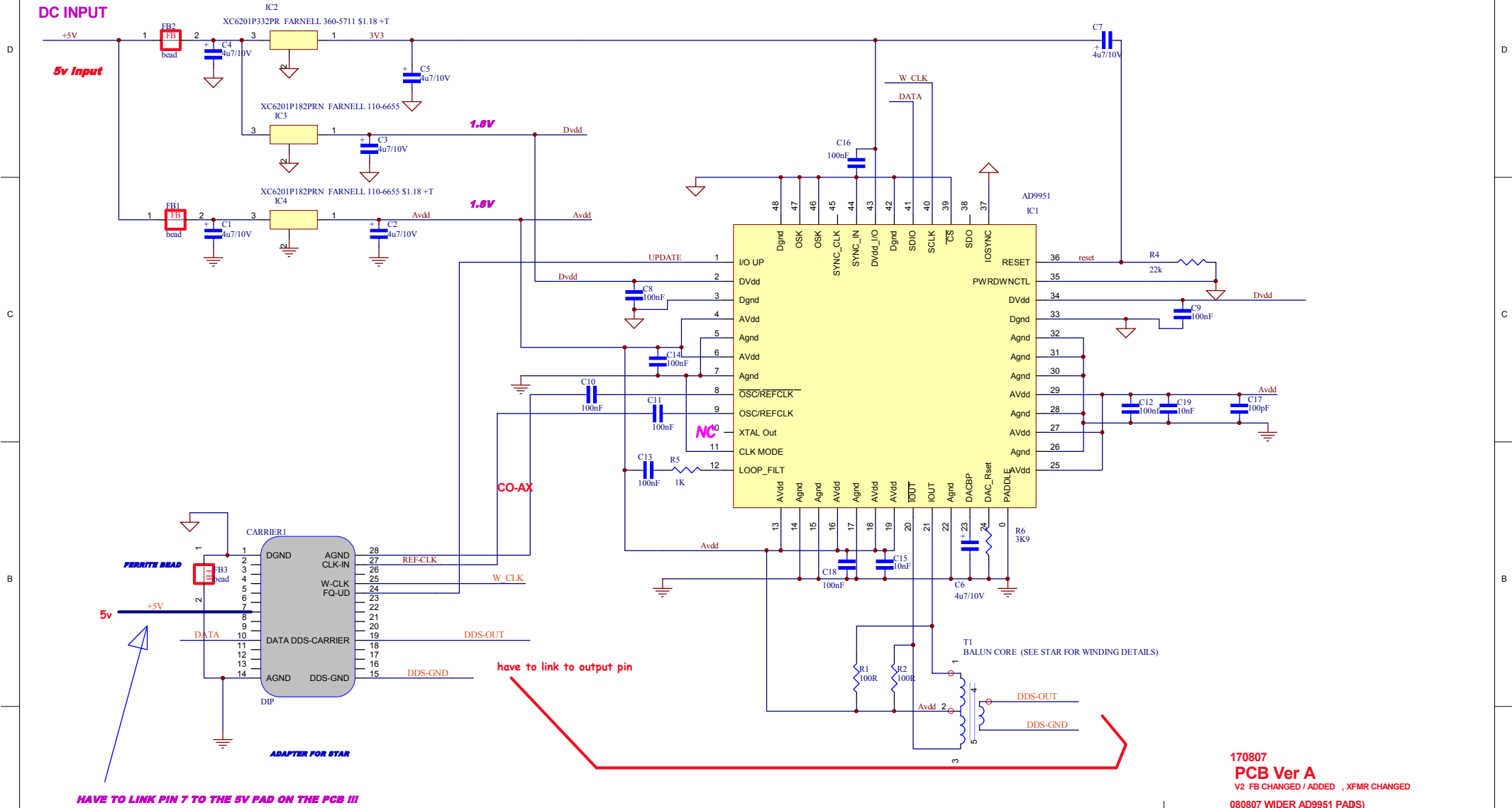


# G3XJP PICaSTAR

# AD9951 DDS "PLL" (VK3PE PCB)



**Schematic & REF # SAME AS PETERS**

170807  
**PCB Ver A**  
 V2 FB CHANGED / ADDED , XFMR CHANGED  
 080807 WIDER AD9951 PADS)  
**13-07-06 UPDATED**

|  |  |              |              |
|--|--|--------------|--------------|
| Updated on:  |  | Updated by:  |              |
| <b>COMMERCIAL-IN-CONFIDENCE</b><br>NOT TO BE DISCLOSED WITHOUT WRITTEN AUTHORITY |  |              |              |
| Title: <b>STAR AD9951 DDS ADAPTER PCB</b>  |  |              |              |
| Size: <b>A3</b>  | Number:  | Issue:       |              |
| Printed on: 4-Nov-2007 09:47:45  | File: F:\Pnt-2208\DDS\Ver A\STAR-AD9951-DDS-V2.Sch | Sheet 0 of 0 | Drawn By: gp |