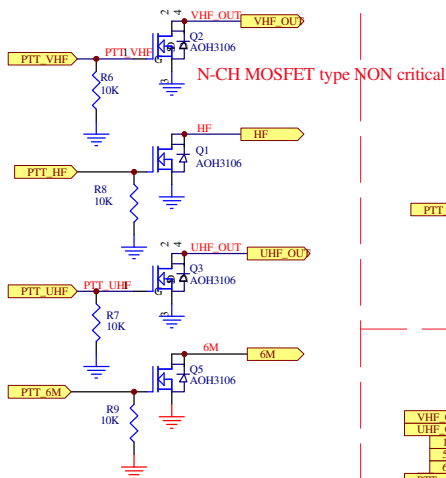
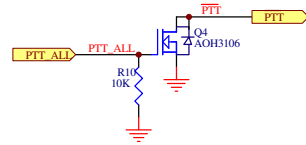


DEC 31st 2025  
19Th JAN 2025  
Feb 11th 2026

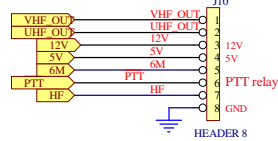
### BAND RELAY DRIVERS



### PTT Switching

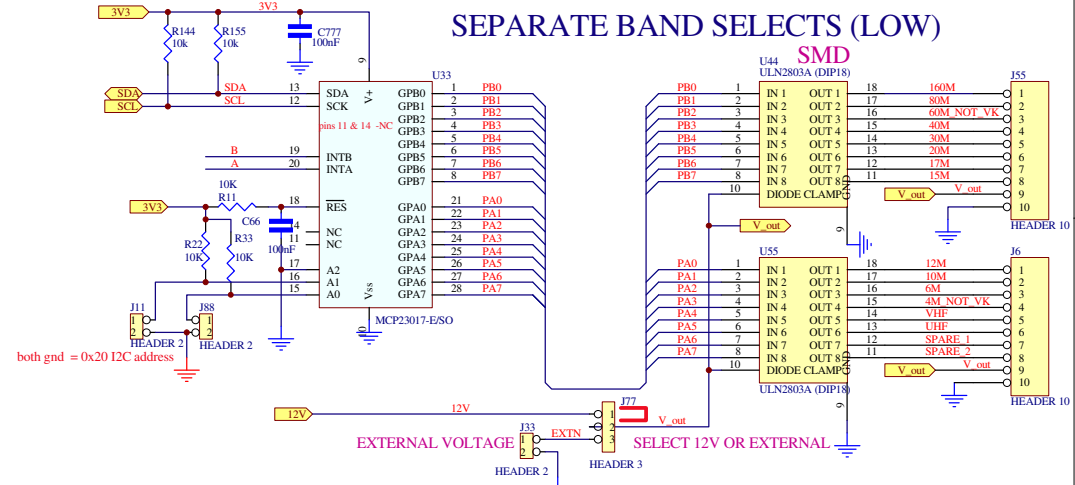


NOT USED !



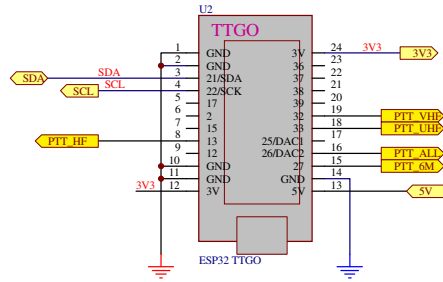
## OPTIONAL

### SEPARATE BAND SELECTS (LOW)



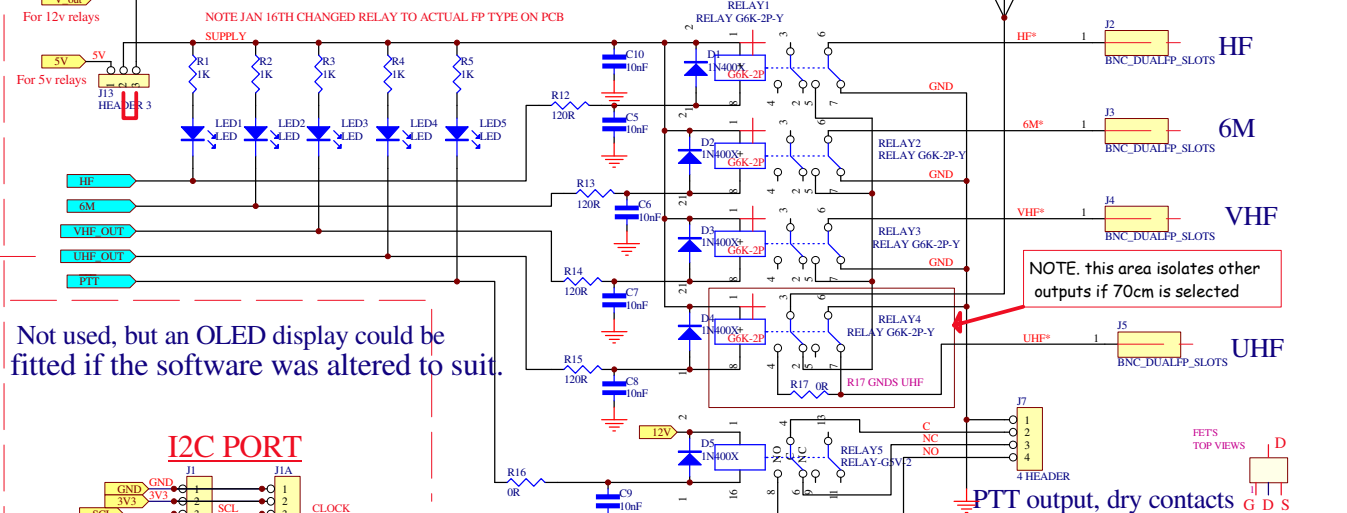
## BNC-UHF-SWITCHED VERSION

### ESP32\_TTGO

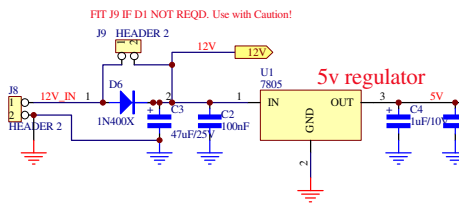


### RELAY BAND SWITCHES

relays each ~ 9mA (12V)

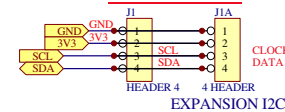


### POWER SUPPLY



Not used, but an OLED display could be fitted if the software was altered to suit.

### I2C PORT



JAN 16TH '26 CHANGED OUTPUT BNC SO THAT SLOT S ARE USED

Title		IC-705 ANTENNA SELECTOR 1 -BNC-	
Size: A3	Number:	Revision: V2.1	(C) VK3PE 2026
File:	Date: 11-Feb-2026	Time: 09:44:26	Sheet 1 of 1