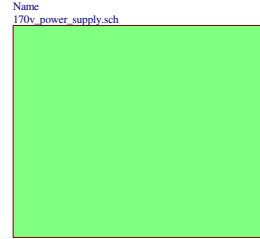
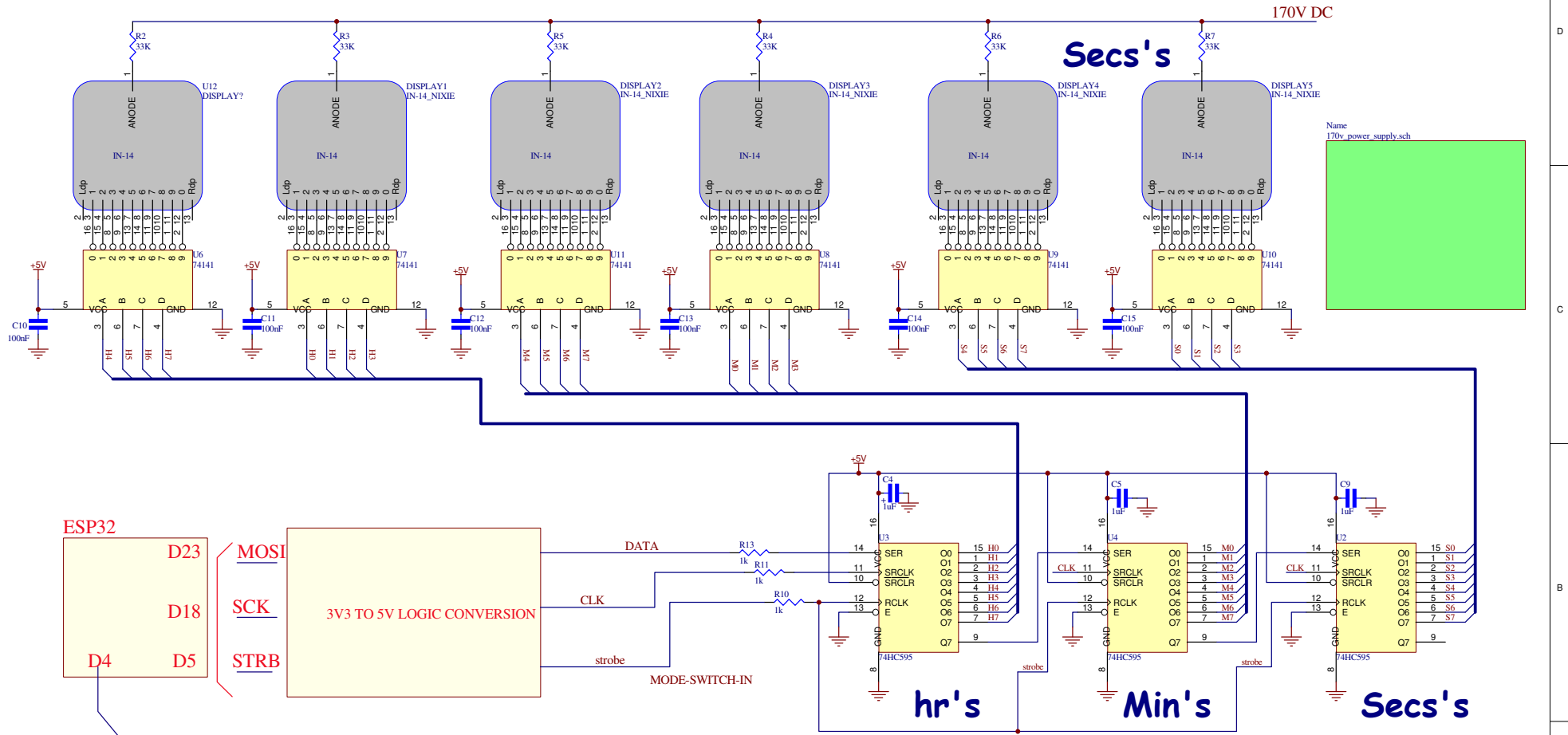


GPS based CLOCK USING IN-14 (leaded) NIXIE TUBE DISPLAY

NOTE IN-17 USED ON EXISTING PCB DIFF PINOUT



NIXIES ONLY NOW DEC '24

NOTE IN-17 USED ON EXISTING PCB DIFF PINOUT

Updated on: 8-Jan-2015 12:28:57		Updated by: g	
COMMERCIAL-IN-CONFIDENCE NOT TO BE DISCLOSED WITHOUT WRITTEN AUTHORITY			
Title:			
Size: A3	Number:	Issue:	
Printed on: 8-Jan-2015 12:28:57		Sheet: 1 of 1	
File: D:\PROJECTS 2024\NIXIE_CLOCK\NIXIE_CLOCK_OLD\nixies only\NIXIES ONLY 2024.sch			