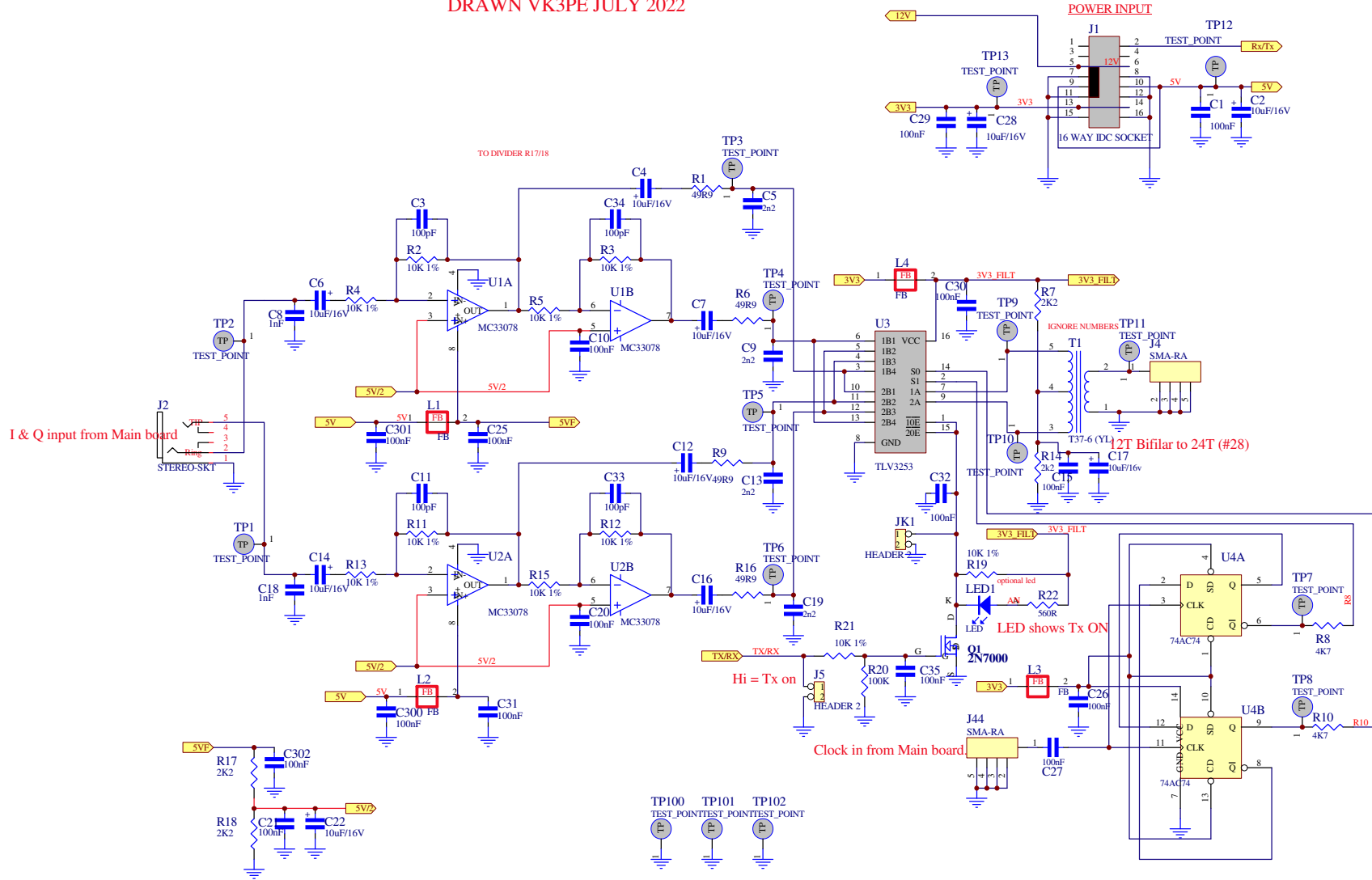


# T41 EXCITER 'QSE' (V010 06/12/22)

DRAWN VK3PE JULY 2022



I & Q input from Main board

Hi = Tx on

Clock in from Main board

PCB sent to jlc 28th july 2022

Title		Revision: b1.0 COPY OF V010 (C) VK3PE 2022	
T41 EXCITER			
Size: A3	Number:	Date: 31-Jul-2022	Time: 12:53:25
File:		Sheet 0	of 0