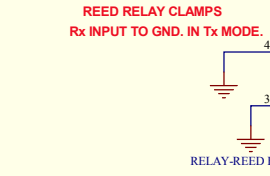
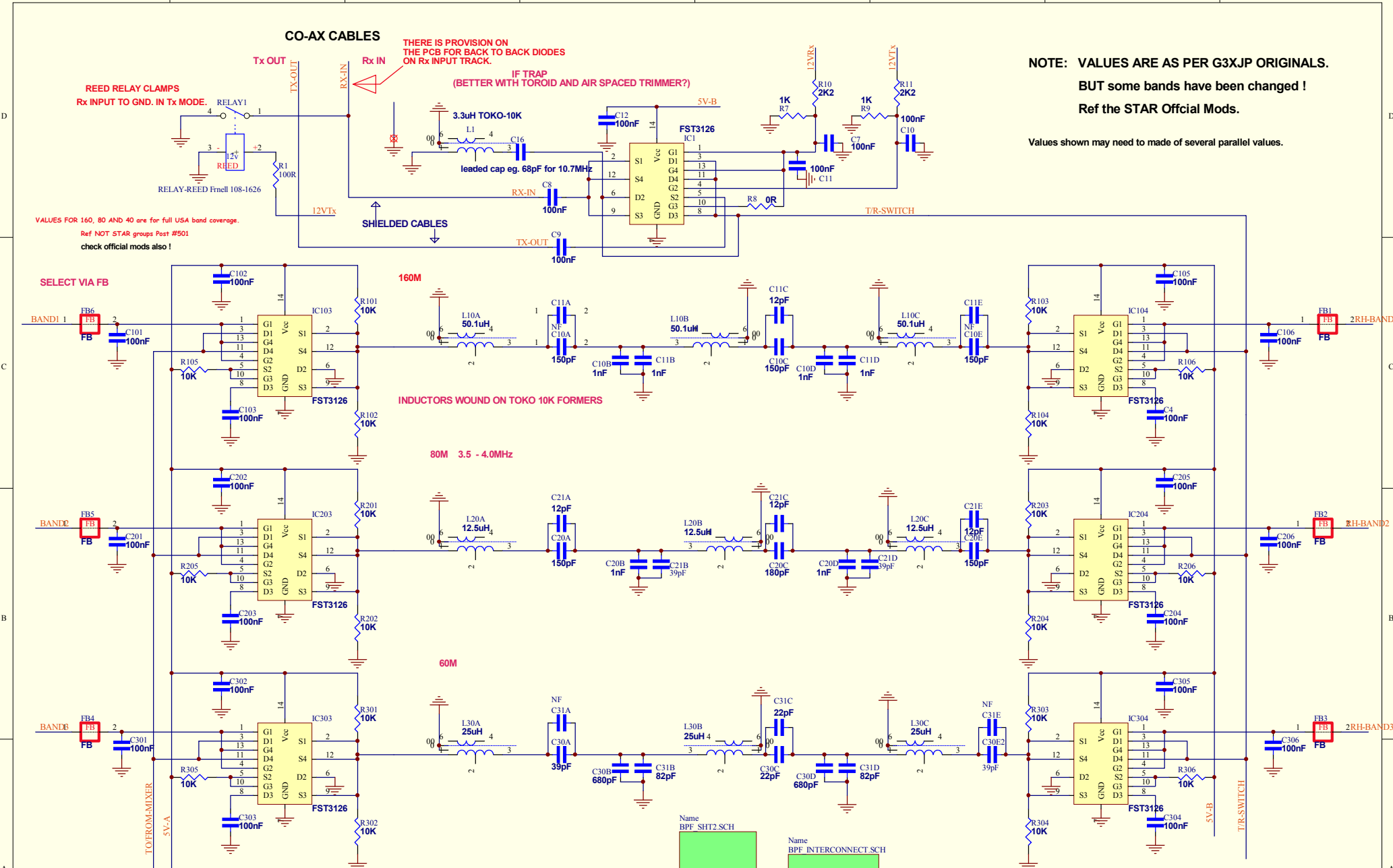


CO-AX CABLES

NOTE: VALUES ARE AS PER G3XJP ORIGINALS. BUT some bands have been changed ! Ref the STAR Official Mods.

Values shown may need to be made of several parallel values.



VALUES FOR 160, 80 AND 40 are for full USA band coverage. Ref NOT STAR groups Post #501 check official mods also !

THERE IS PROVISION ON THE PCB FOR BACK TO BACK DIODES ON Rx INPUT TRACK.

IF TRAP (BETTER WITH TOROID AND AIR SPACED TRIMMER?)

SELECT VIA FB

INDUCTORS WOUND ON TOKO 10K FORMERS

TO/FROM MIXER 5V-A

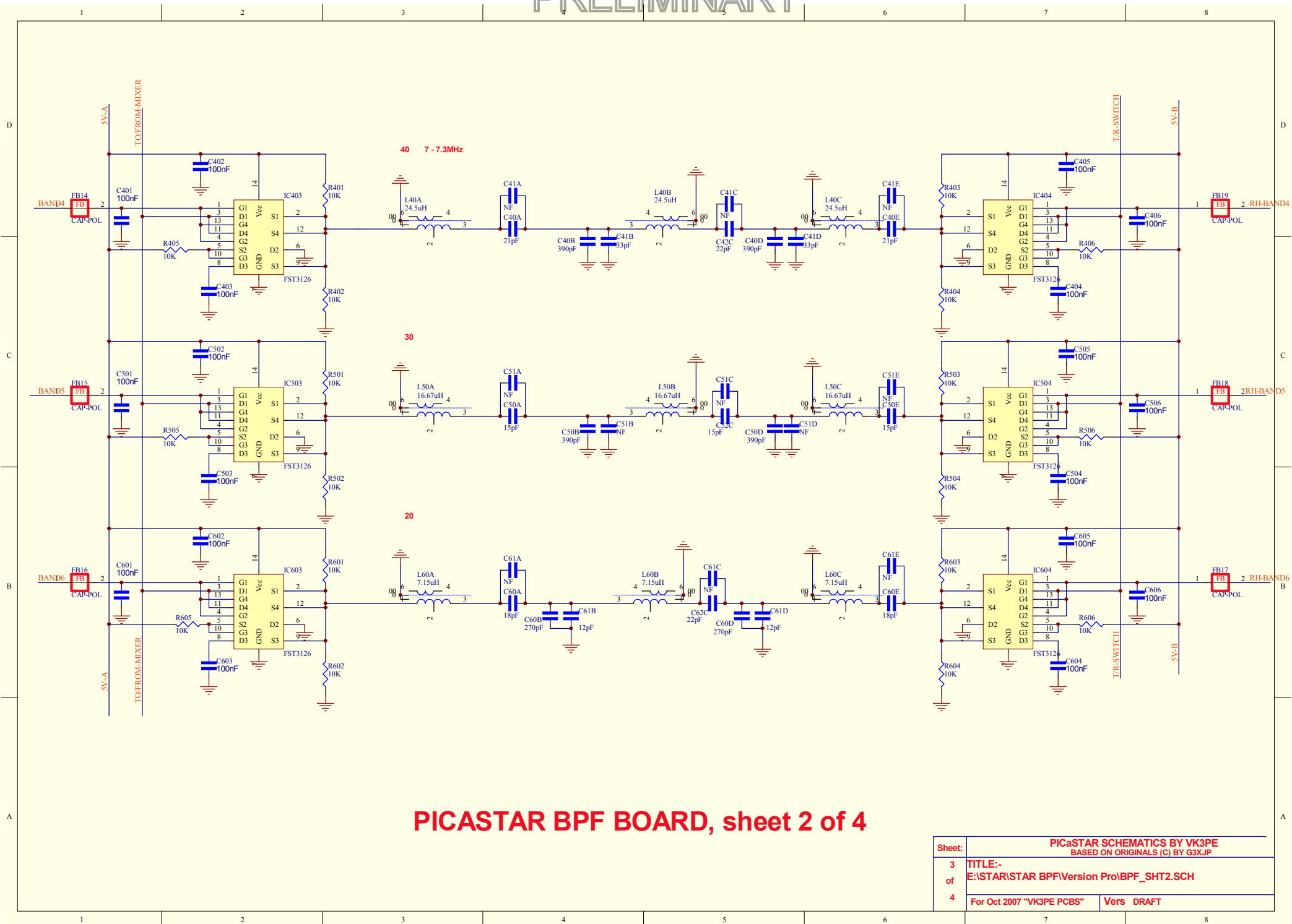
Name BPF_SHT2.SCH
Name BPF_INTERCONNECT.SCH
Name BPF_SHT3.SCH

13-02-08 added Reed relay to gnd on Rx AND PROVISION FOR DIODES. 110108 minor updates

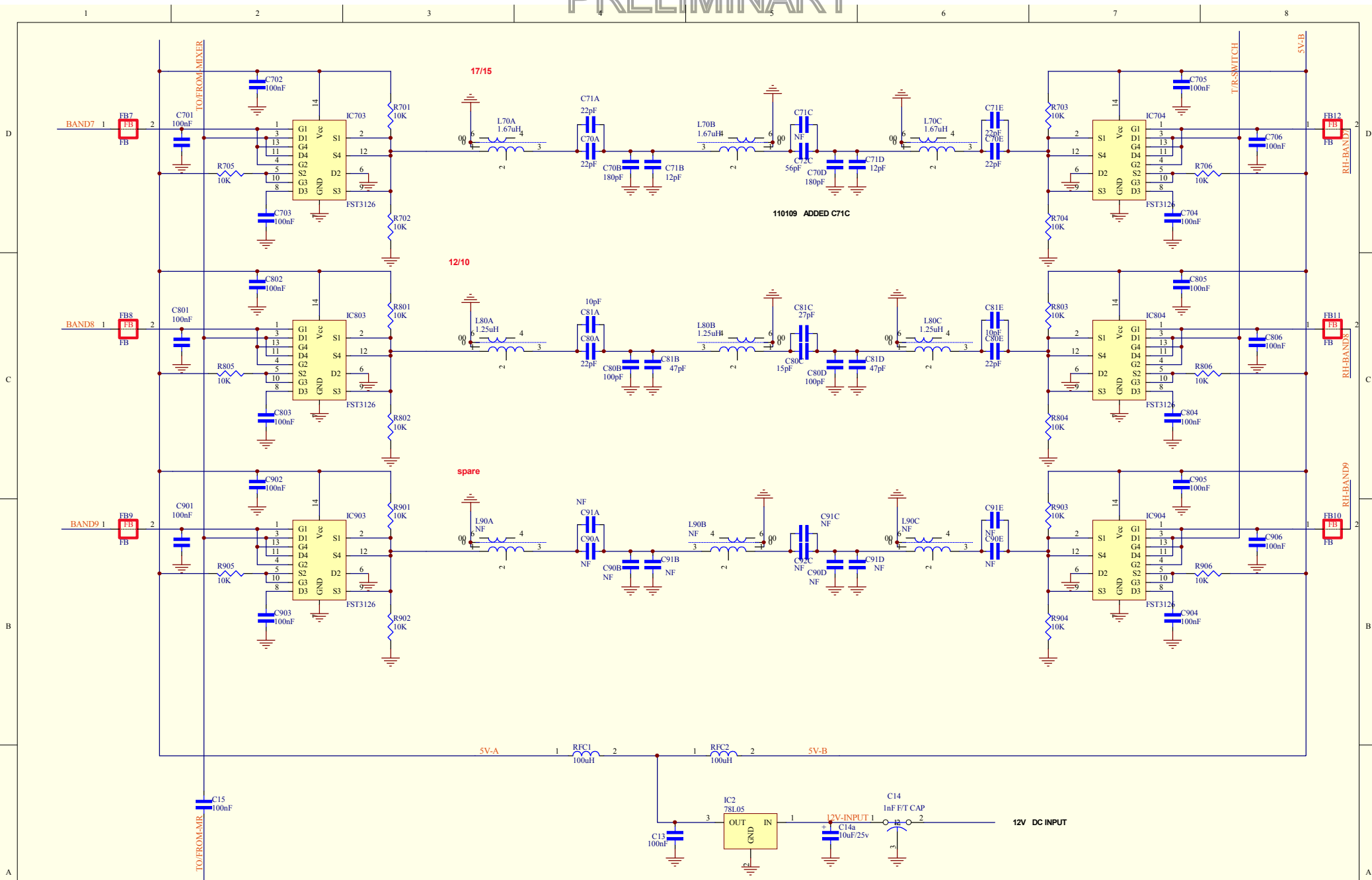
PICASTAR BPF BOARD, sheet 1 of 4

ref msg # 26404 for Toko10k turns ?

Sheet:	PICASTAR SCHEMATICS BY VK3PE BASED ON ORIGINALS (C) BY G3XJP
1 of	TITLE:- E:\STAR\STAR BPF\Version Pro\BPF_130208_Pro_PROJ.sch
4	For Oct 2007 "VK3PE PCBs" Vers DRAFT



Sheet:	PICaSTAR SCHEMATICS BY VK3PE BASED ON ORIGINALS (C) BY G3XJP
3 of 4	TITLE:- E:\STAR\STAR BPF\Version Pro\BPF_SHT2.SCH
	For Oct 2007 "VK3PE PCBs" Vers DRAFT



CO-AX TO MR

PICASTAR BPF BOARD, sheet 3 of 4

Sheet:	PICASTAR SCHEMATICS BY VK3PE BASED ON ORIGINALS (C) BY G3XJP
2 of 4	TITLE:- E:\STAR\STAR BPF\Version Pro\BPF_SHT3.SCH
4	For Oct 2007 "VK3PE PCBs" Vers DRAFT