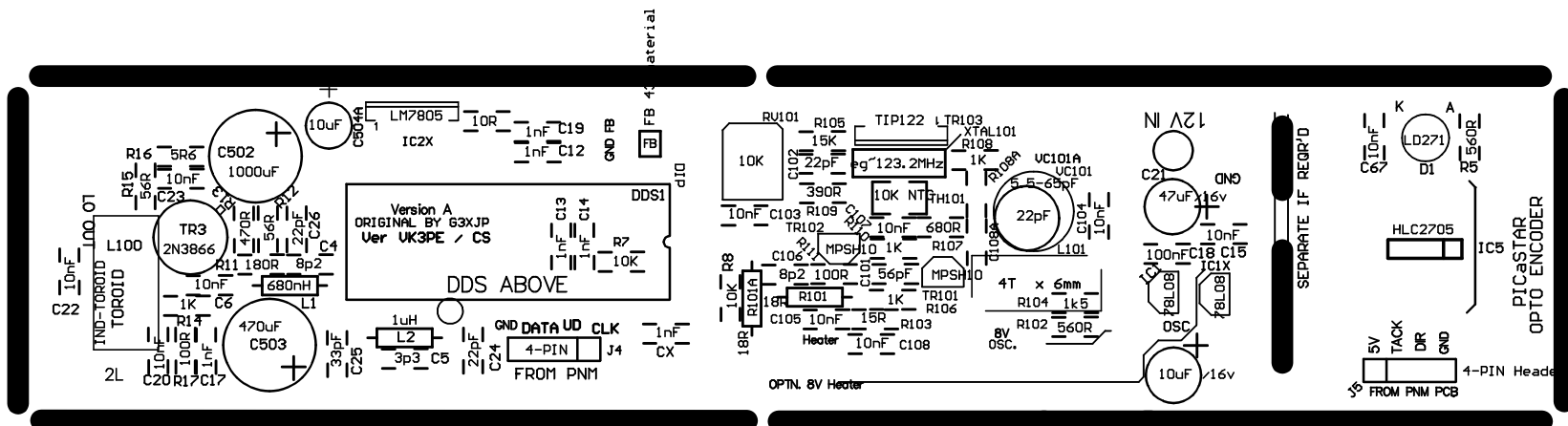
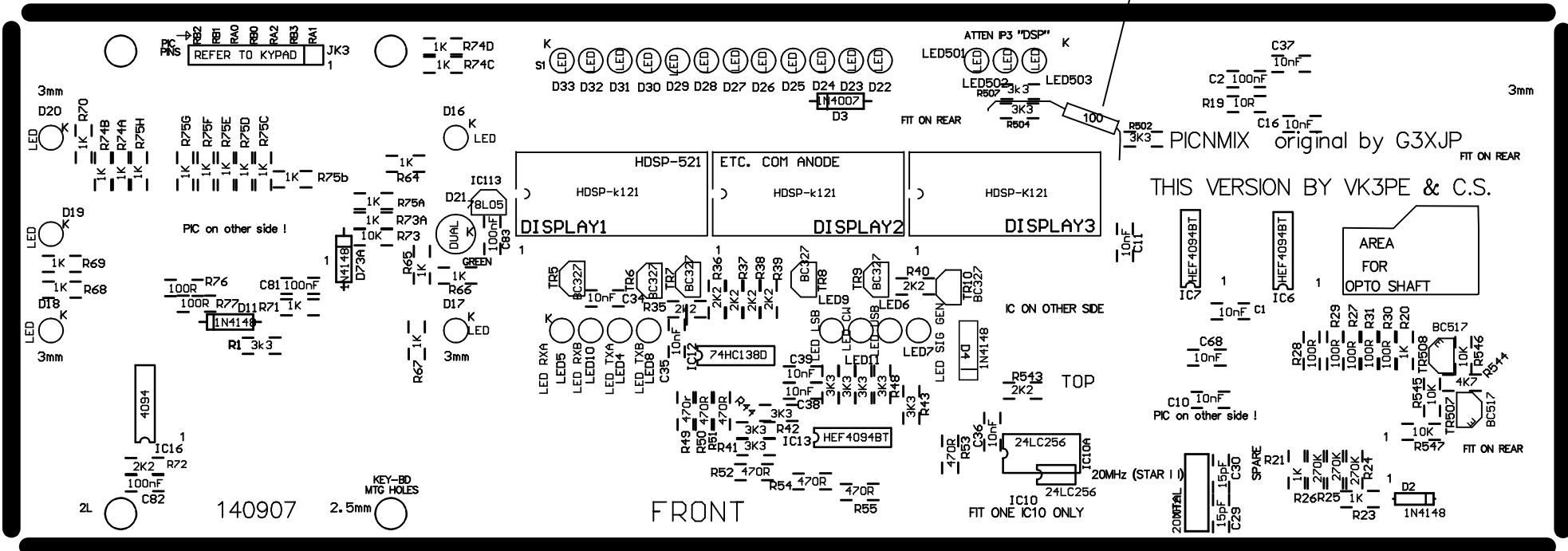


NOTE BC327's (6) are shown REVERSED on this overlay !

"R2X" FIT A 100 ohm LEADED RESISTOR FROM "SPARE" TO JK1 PIN 1

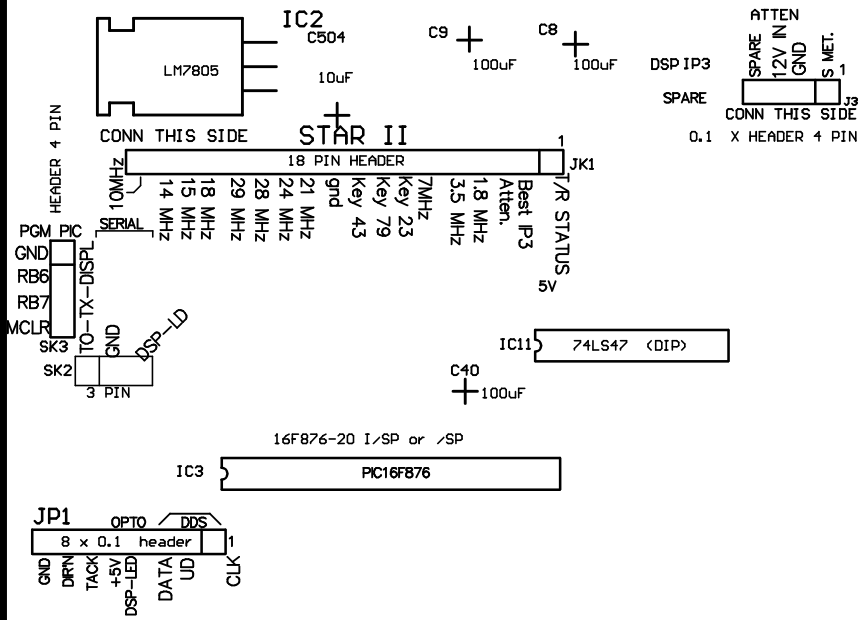


140907

S1

PIC N MIX

Original by G3XJP
This Version by VK3PE & C.S.



C41 100uF

