

Please note:

The Beeper PCB overlay is incorrect:-

Capacitor C2 on the schematic is shown as C969 on the PCB and it's polarity is reversed. *Please load parts as per the Overlays below.*

Diode D1 on the PCB has the cathode bar on the wrong end. *Please load parts as per the Overlays below.*

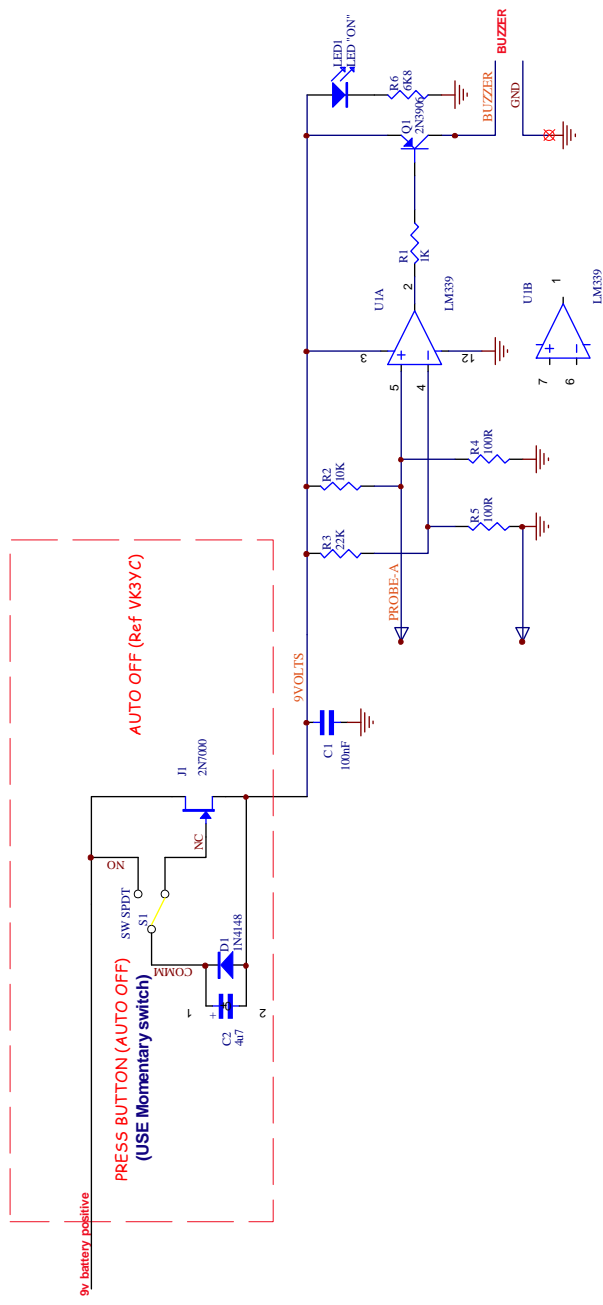
The FET is shown as J5 on the PCB while on the schematic it is J1.

AUTO OFF timing:-

While the original schematic I received, has C2 value as 4.7uF, Roderick, VK3YC, tells me that this results in a very long on period.

I fitted a 1uF capacitor and found the auto off time to be about 30 minutes. You may elect to reduce it further if you wish, or use the original value.

VK3PE



Original Beeper design is by Harold, W4ZCB, refer to website for original schematic.

vers 3 for combo panel
 VERSION 2 !! PROBE ERROR CORRECTED

Updated on:	Updated by:		
COMMERCIAL-IN-CONFIDENCE NOT TO BE DISCLOSED WITHOUT WRITTEN AUTHORITY			
Title:			
PCB file name:	Size:	Number:	Issue:
	A3		
Printed on: 14-Nov-2009 19:30:35			
File: G:\PCB\STAR-single-pcb.maynot be latest\BUZZER-NEW\W4ZCB_BEEPER_VER-3.Sch			
Sheet 1 of 1			