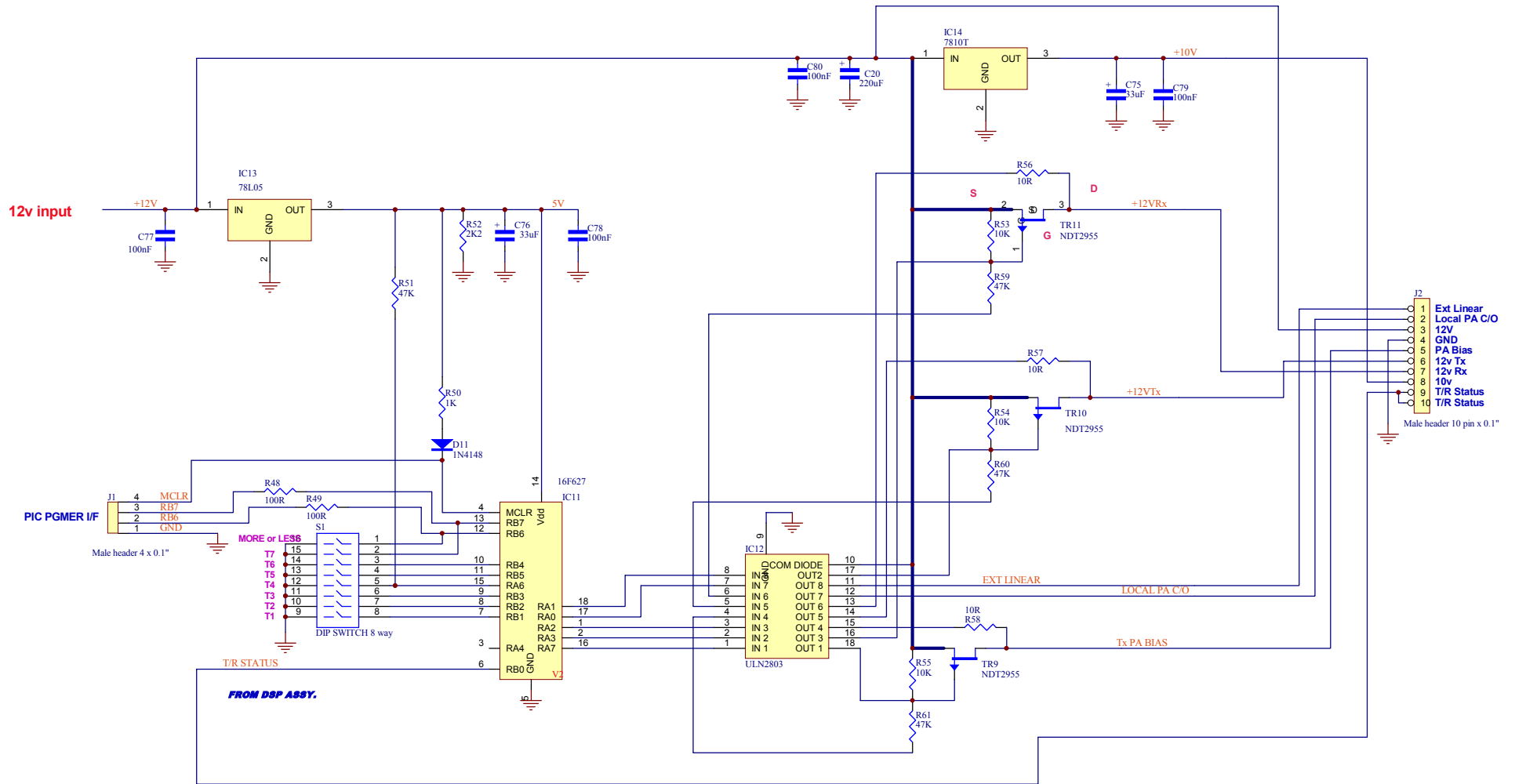


STAR TIMER BOARD



01-10-09 J3 now 10 pins
040907 PCB BY CHRIS STAKE

Updated on: Updated by: **07-07-06**

COMMERCIAL-IN-CONFIDENCE
NOT TO BE DISCLOSED WITHOUT WRITTEN AUTHORITY

Title: **STAR TIMER BY VK3PE & C.S.**

Size: **A3** Number: Issue: **Ver A Panel**

Printed on: 3-Apr-2008 12:45:23 Sheet 1 of 1
File: E:\Pnl-2208\Timer\chris-timer 040907\TIMER_Ver-A_040907_02.Sch Drawn By: gp