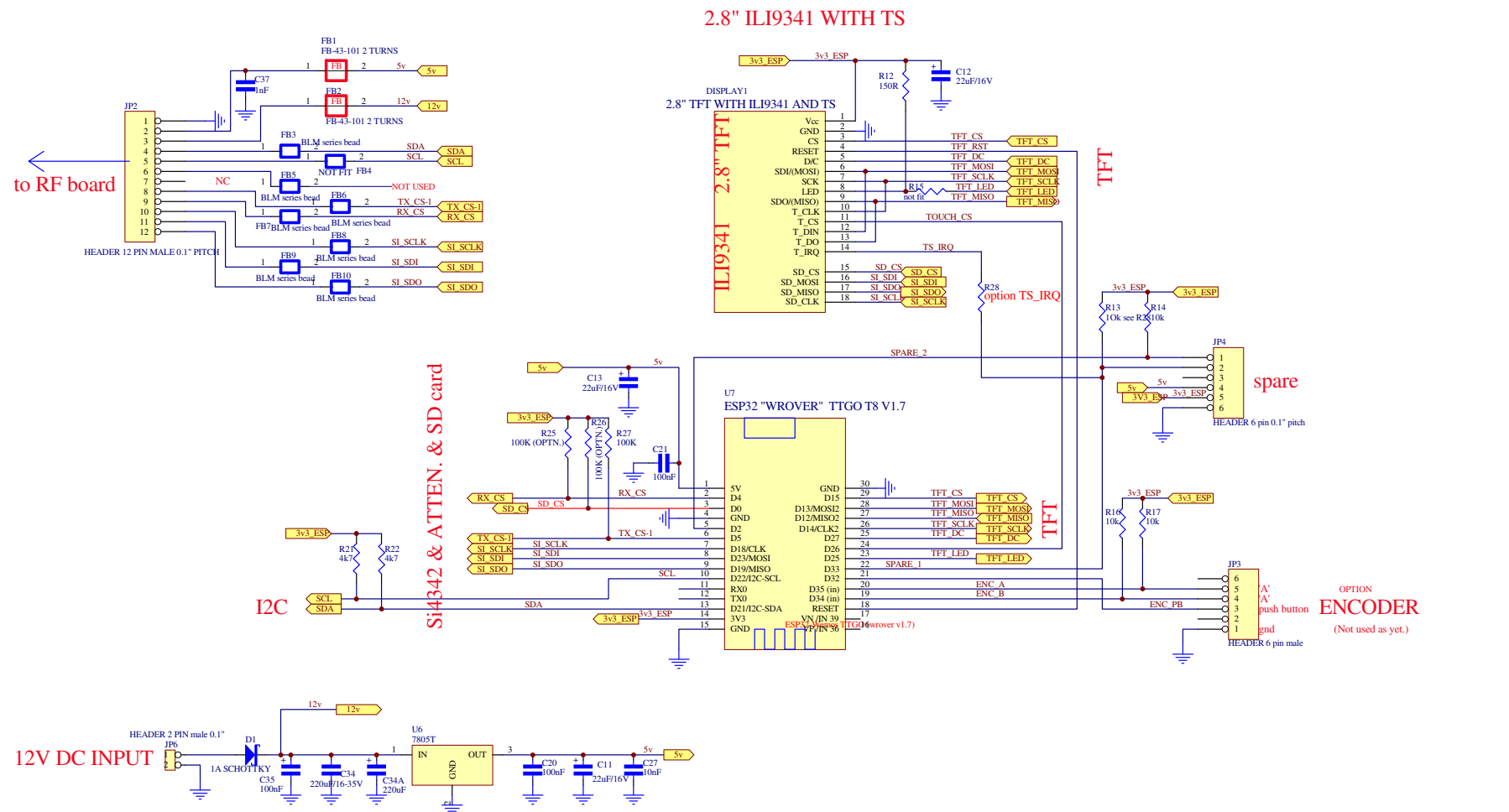


tinySA CONTROL SECTION V2 per M0WID's pinout



This Schematic is based on original work by PD0EK for a simple and low cost Spectrum Analyzer, known as "tinySA".

The Schematic now uses an ESP32 Micro instead of original NANO board.

Bill of material, software and other build documents will soo be available on GITHUB and a link will be placed here for that ASAP.

17th Apr 2020 added v28 TS_IRQ
 14th April minor tidy up
 31ST mar swapped tx and rx CS's PCB = tinySA_V2b.PCB
V2 PCB 290320 DRAFT
100320_1 Vers 1.0 pcb
FEB 2020 ROUGH DRAFT

Based on original design by Erik, PD0EK
 ref HBTE groups.io "https://groups.io/g/HBTE"

Title		DRAWN BY:	
Size: A3	Date: 2-Jun-2020	Sheet	VK3PE
	Time: 11:18:23	of	(C) 2007-2019