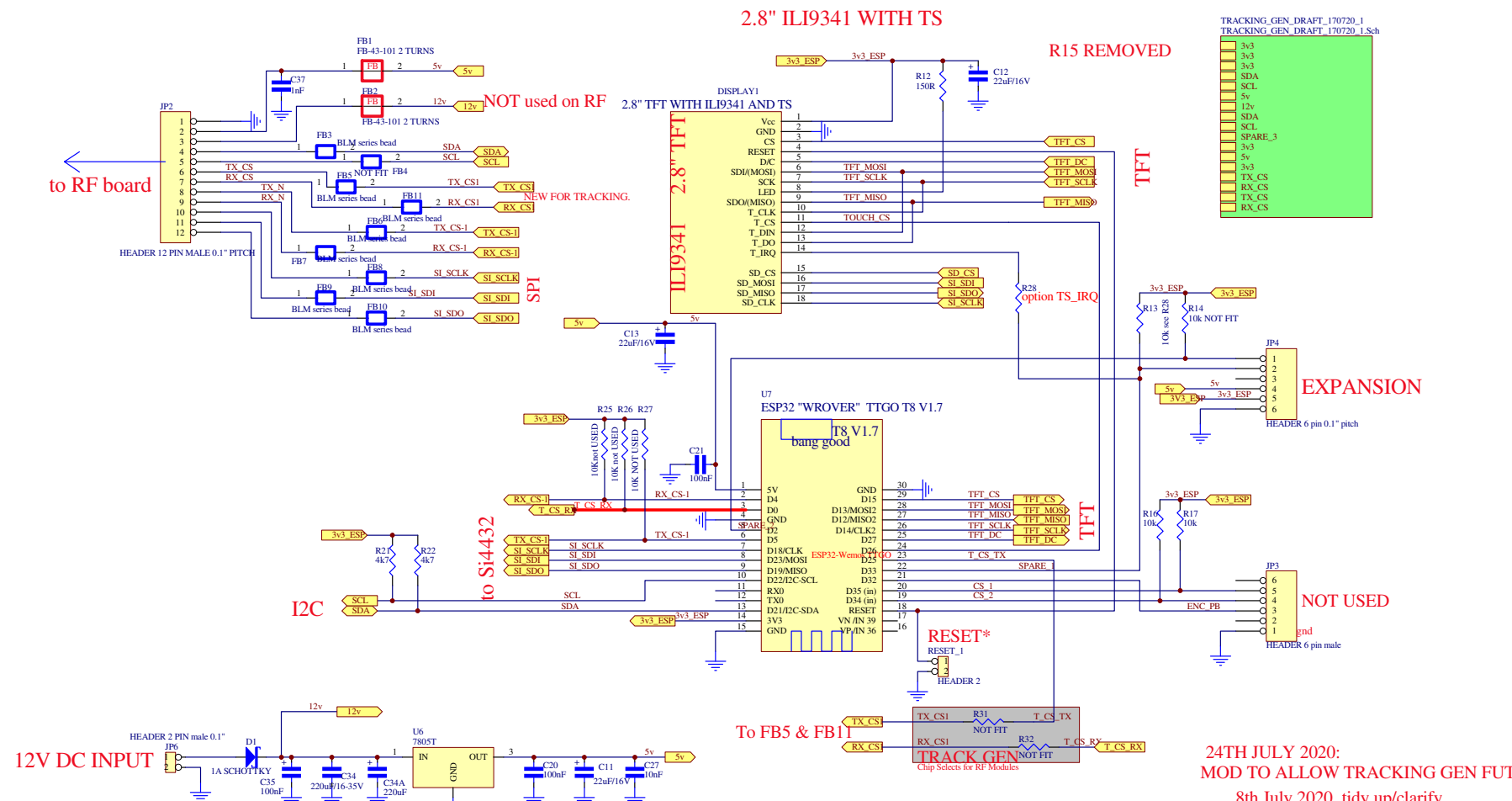


# simpleSA CONTROL SECTION V2 WITH TRACKING GEN provision



This Schematic is based on original work by PD0EK for a simple and low cost Spectrum Analyzer, known as "tinySA".

The Schematic now uses an ESP32 Micro instead of original NANO board.

Bill of material, and other build documents will soo be available at [www.carnut.info/tinySA](http://www.carnut.info/tinySA).  
Software, see Groups.io HBTE group.

24TH JULY 2020:  
MOD TO ALLOW TRACKING GEN FUTURE

8th July 2020, tidy up/clarify  
23rd June do NOT fit R14!  
ADDED RESET PADS ON PCB

17th Apr 2020 added v28 TS\_IRQ  
14th April minor tidy up  
31ST mar swapped tx and rx CS's - PCB = tinySA\_V2b.PCB  
V2 PCB 290320 DRAFT

100320\_1 Vers 1.0 pcb  
FEB 2020 ROUGH DRAFT

VK3PE web page, more details: [www.carnut.info/tinySA.html](http://www.carnut.info/tinySA.html)

V3\_TRACKA4.PCB

Based on original design by Erik, PD0EK

ref HBTE groups.io "https://groups.io/g/HBTE"

Title		DRAWN BY:	
Date: 26-Jul-2020		VK3PE	
Size: A3	Time: 10:04:32	Sheet of 2	(C) 2007-2019